

GUIDE EDUCATOR



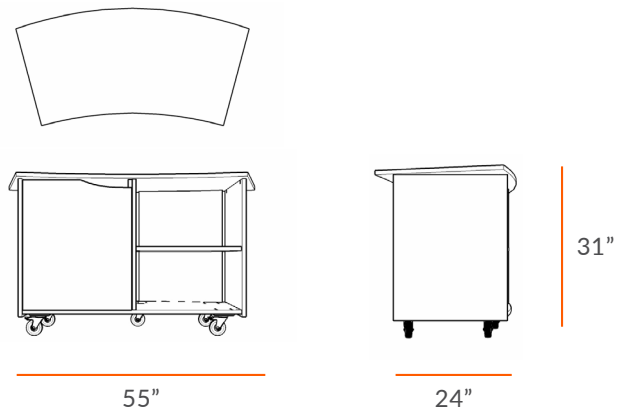
Description

The Guide Educators Desk offers a large, subtly curved work surface. Two open shelves on one side and a door on the other provide ample storage for learning materials and personal items.

Our wide range of **Guide Educator Desks** and **Filing Cabinets** are designed with flexibility in mind to meet the needs of busy educators. Offered in different shapes and heights with a variety of storage features to suit the individual needs of educators or the subjects taught.

Product features

- Heavy duty lockable castors
- Extra large desk top
- Includes cabinet door (not lockable), along with two open shelves



Materials

- Europly FSC Certified hardwood plywood (FSC R 012337)
- MPX® FSC Certified hardwood plywood (FSC R 012337)

GUIDE EDUCATOR

LENGTH	55"
DEPTH	24"
HEIGHT	31"

Dimensions indicated are approximate. Please contact us if you require clarification.

